

# Vast Grazer Static White Installation Instructions



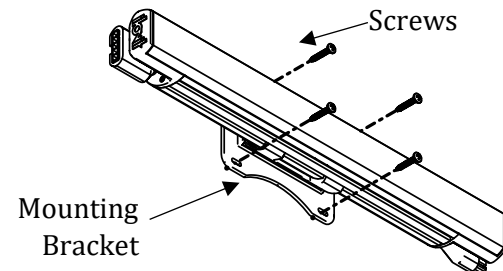
## Warnings and Safety

- Please verify the contents of the package!
- Please read instructions before starting the installation.
- Make sure power is off before installing or modifying the system.
- Call Tivoli LLC tech support with any questions.
- This product is designed to work with clean 100-277V AC power only. Use of any other power source will cause damage, shorten the life of the fixture and will void the warranty. It is the manufacturer's recommendation to assure a cumulative leakage current of less than 3.5mA on the control unit.
- **Warning:** With any luminaire for any application, basic safety precautions should always be followed to reduce the risk of fire, electric shock and personal injuries
- **THIS LIGHTING SYSTEM MUST BE INSTALLED IN ACCORDANCE WITH APPLICABLE INSTALLATION CODES BY A PERSON FAMILIAR WITH THE CONSTRUCTION AND OPERATION OF THE PRODUCT AND THE HAZARDS INVOLVED.**
- **CE PRODUIT DOIT ÊTRE INSTALLÉ SELON LE CODE D'INSTALLATION PERTINENT, PAR UNE PERSONNE QUI CONNAÎT BIEN LE PRODUIT ET SON FONCTIONNEMENT AINSI QUE LES RISQUES INHÉRENTS.**
- **WARNING!** Risk of Electrical Shock.
- Disconnect power before installing, wiring or servicing fixtures. Fixture has no user-serviceable parts. Do not open fixture compartments, except as noted in this document. Do not apply paint, lubricants or other coatings to fixture, suspension cables or fasteners.
- Pour éviter les risques de chocs électriques, débranchez l'alimentation avant l'installation, le câblage ou l'entretien des luminaires. Le luminaire ne comprend aucun élément réparable par l'utilisateur. N'ouvrez pas les compartiments du luminaire, sauf indication contraire dans ce document. N'appliquez pas de peinture, de lubrifiants ou d'autres revêtements sur le luminaire, les câbles de suspension ou les attaches.

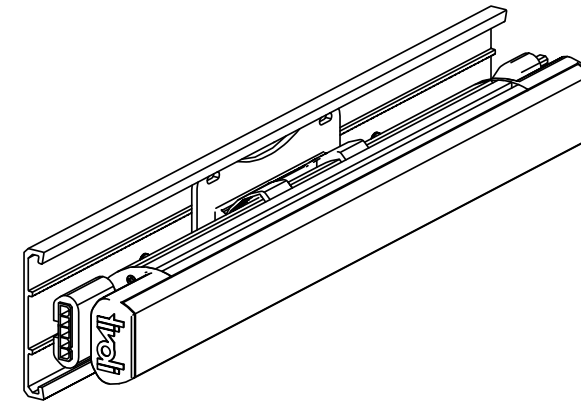
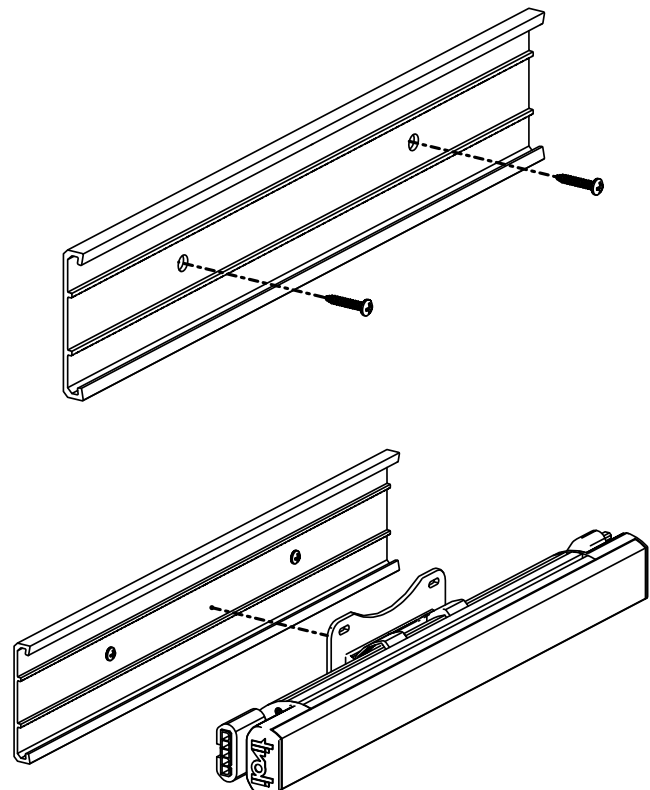
## Installation Instructions

**NOTE:** This product is offered in 12 in. and 48 in. lengths. Please note which model is being installed and refer to the corresponding instructions.

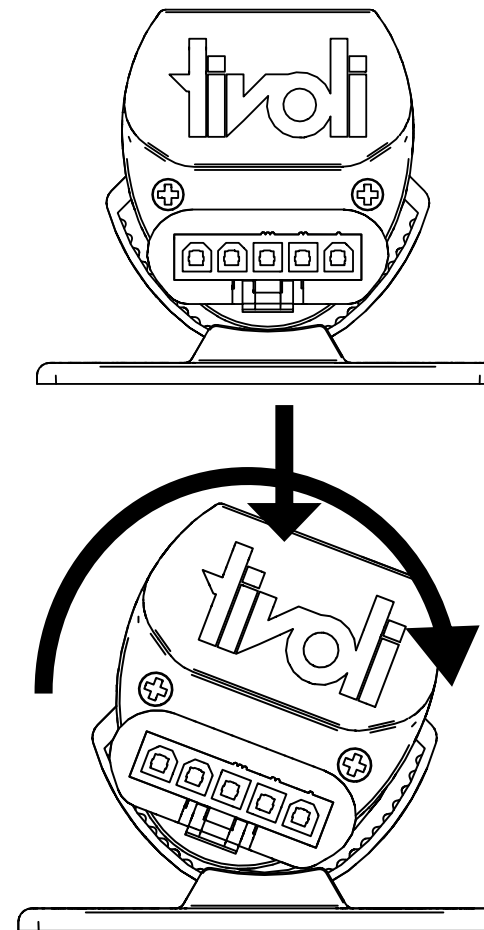
1. Position the fixture on the mounting surface and mark the locations of the mounting holes on the bracket (12 in. model has one bracket and 48 in. model has two brackets).
2. Install the mounting bracket(s) to the mounting surface using screws.



3. If using a mounting channel, first attach the channel to the mounting surface. Then, secure the fixture by pushing it into the channel until it snaps into place.

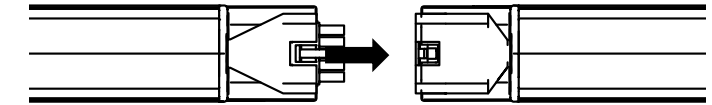


4. The fixture can be rotated to achieve the desired angle. Grab the fixture, and carefully push down to disengage the teeth. Then, rotate the fixture in desired angle and position. For the 48 in. model, match the angle of rotation for both mounting brackets.

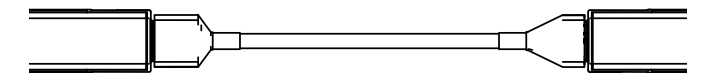


5. There are two options for connecting multiple Vast Grazer Palette fixtures together:

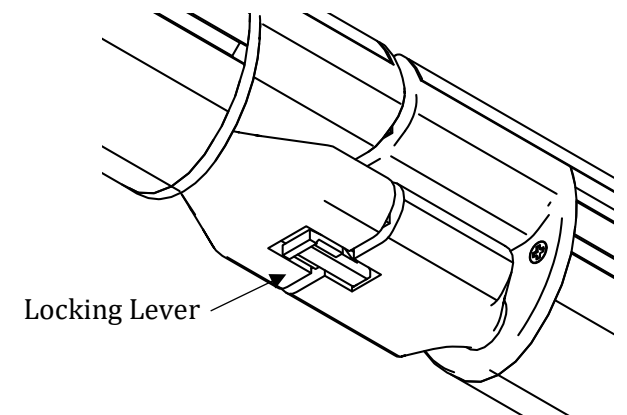
- a. Fixture to Fixture:



- b. Jumper Cable (VAST-JUMPER-5P-X):



**NOTE:** Ensure that the locking lever on the male connector is engaged when connecting multiple fixtures

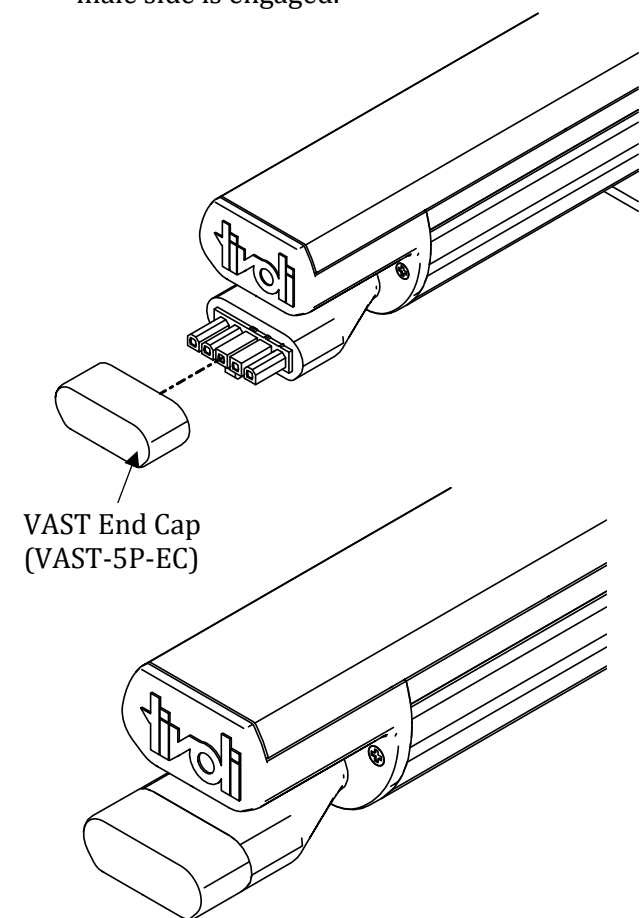


# Vast Grazer Static White Installation Instructions



6. Insert the end cap at the far end of the fixture, opposite the power side.

**NOTE:** Ensure that the locking lever on the male side is engaged.

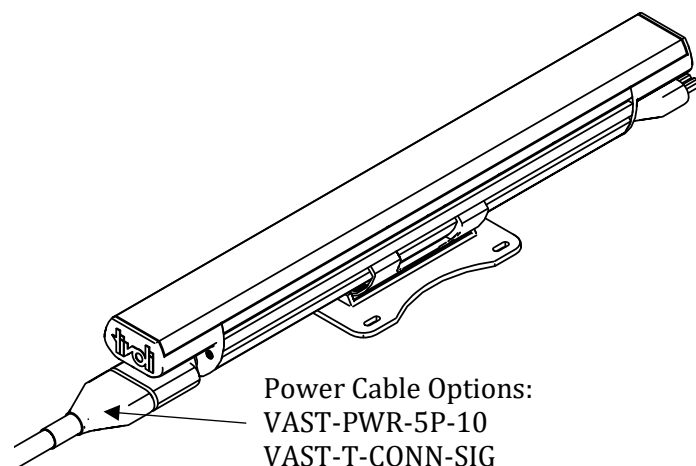


VAST End Cap (VAST-5P-EC)

7. Insert the power lead cable to the power end side of the fixture and connect to a 100-277V AC (50/60 Hz) line. Connect data to DMX controller.

**NOTE:** Refer to related specification sheets for more information and details on other possible configurations.

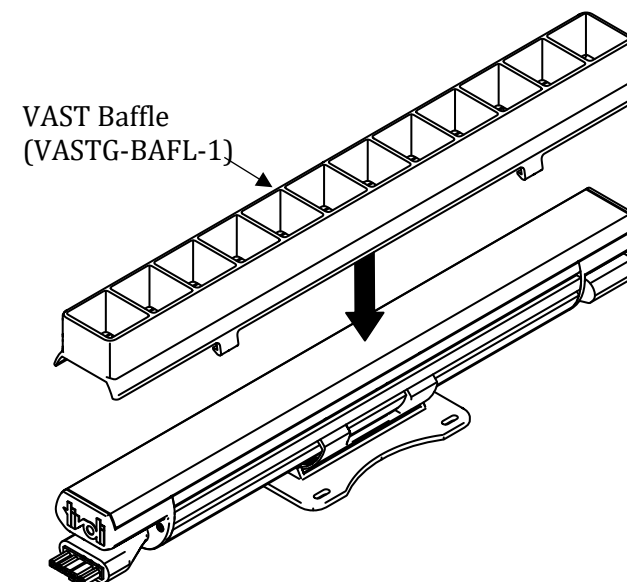
Fixture	Voltage	Watts/Foot	Max Run Length
Vast Grazer Static White	100-277V AC 50/60 Hz	14 W/FT	50 FT



Power Cable Options:  
VAST-PWR-5P-10  
VAST-T-CONN-SIG

Power Cable Options	Wire Labels
VAST-PWR-5P-10	Black = Line White = Neutral Green = Ground
VAST-T-CONN-SIG	Black = Line White = Neutral Green = Ground Purple = 0-10V Dim + Pink = 0-10V Dim -

8. If using a baffle, secure it in place by snapping it on top of the fixture.



VAST Baffle (VASTG-BAFL-1)

